

TECHN. DATEN (TECHNICAL DATA):

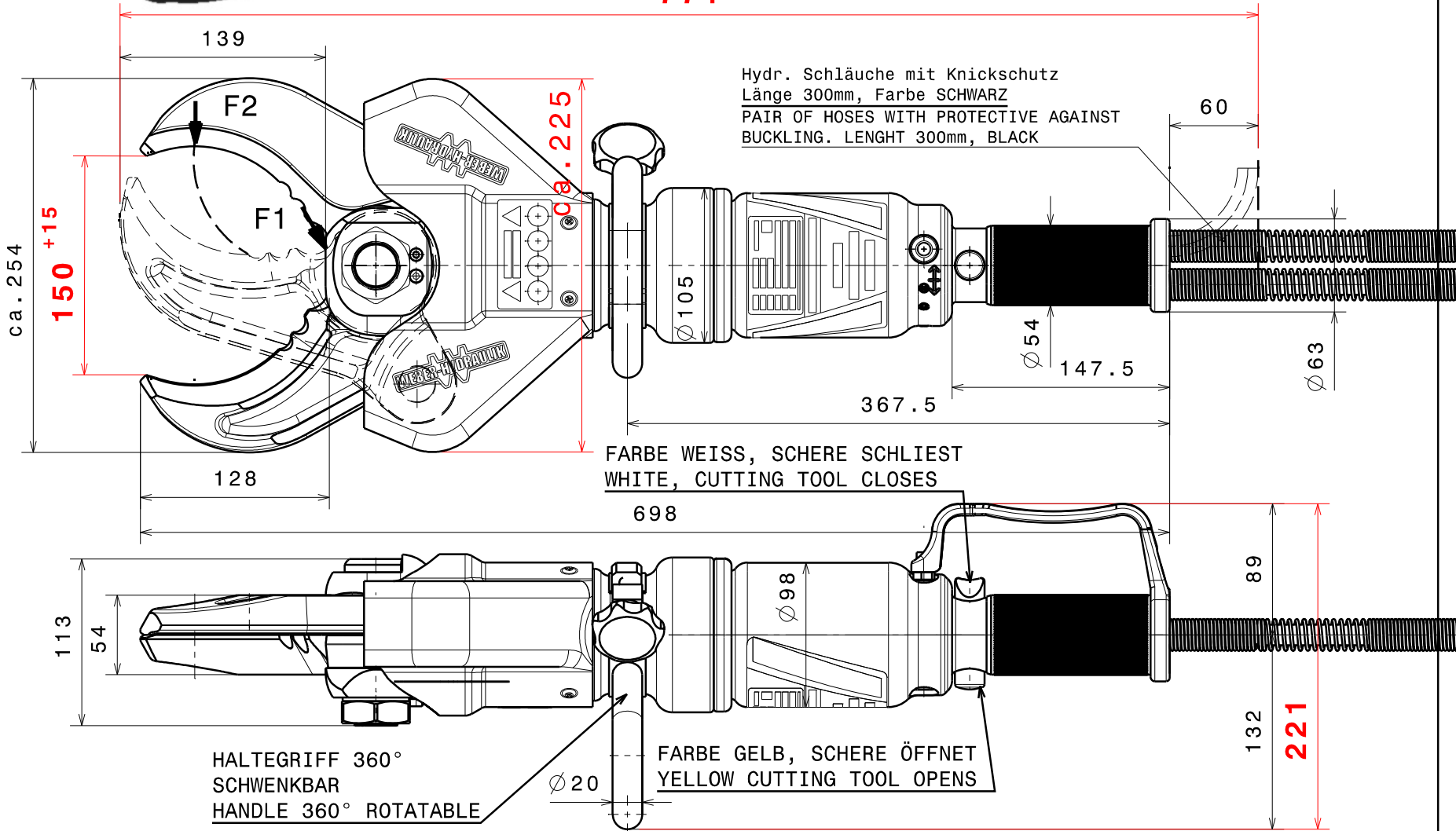
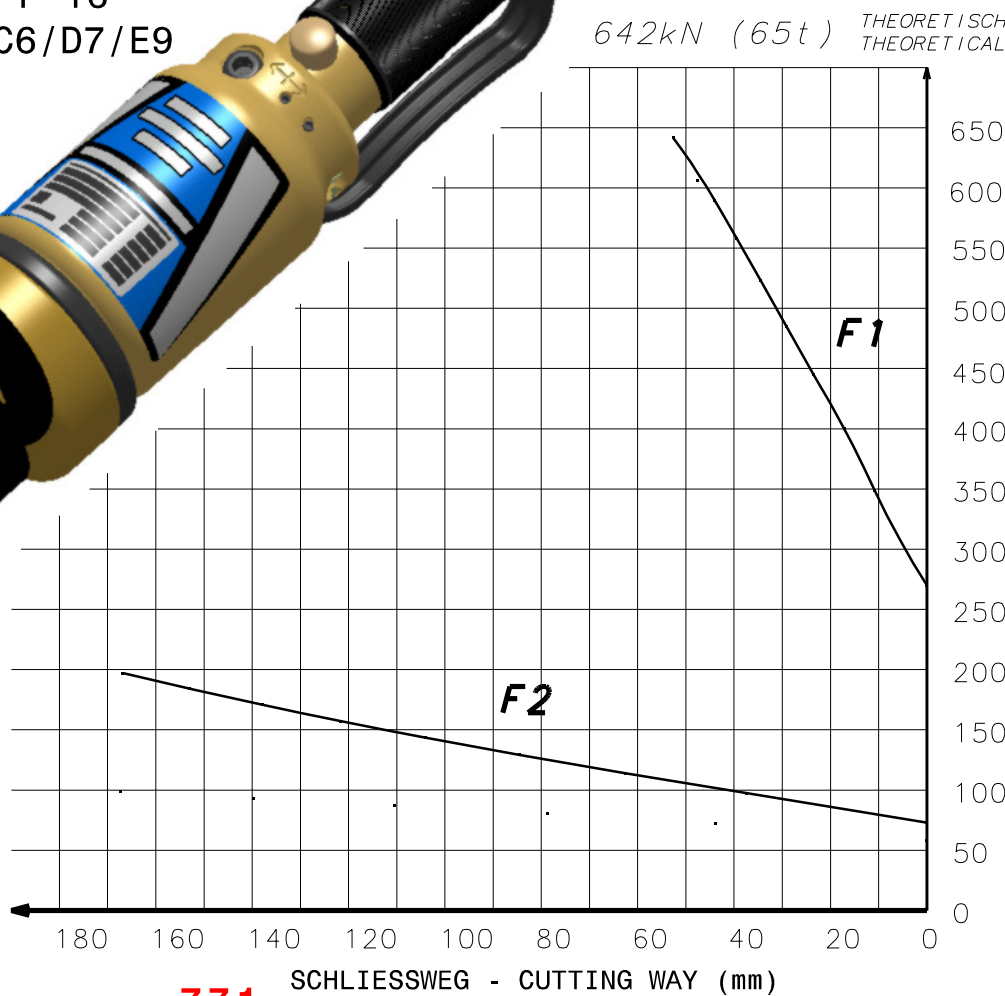
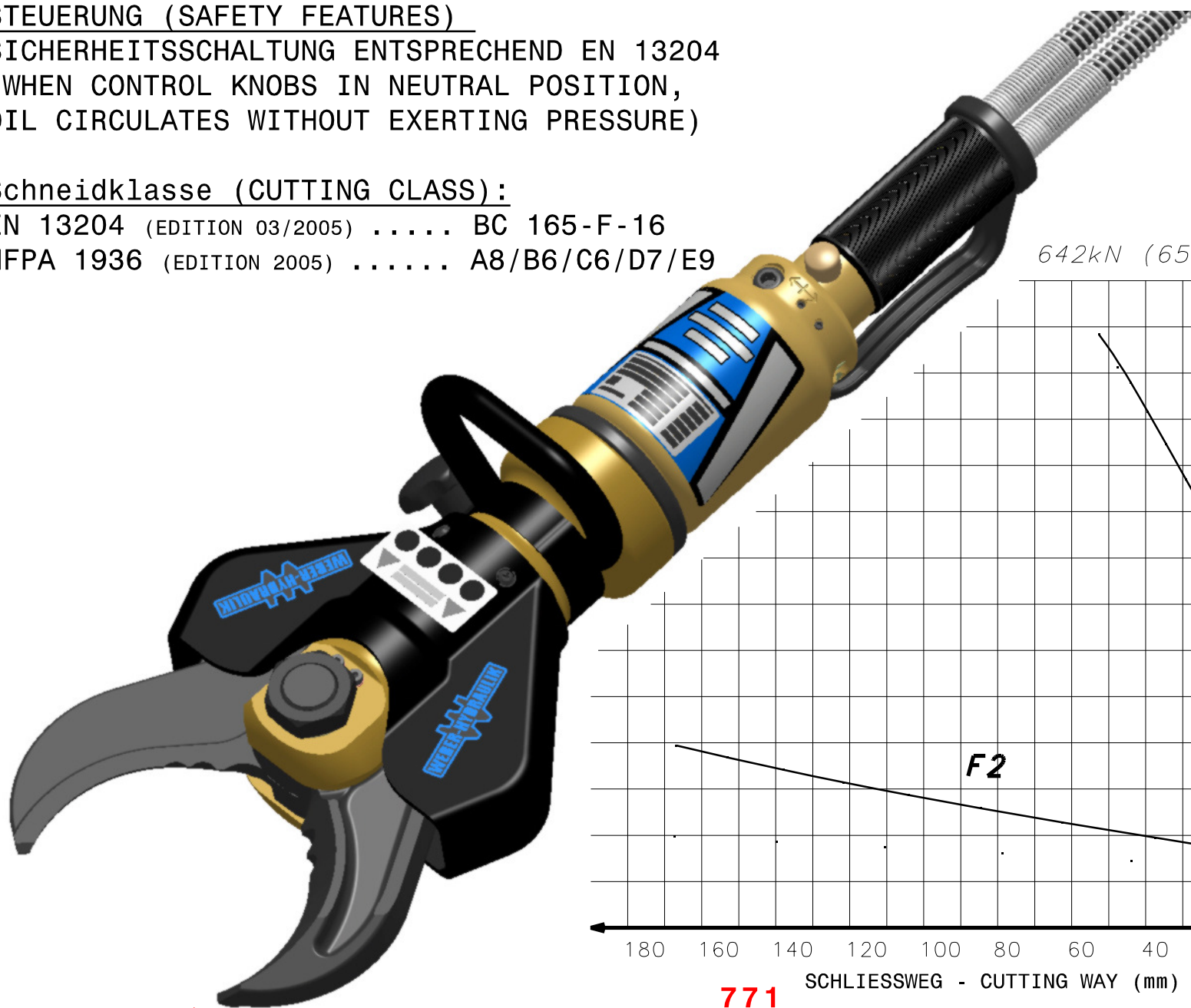
NENNDRUCK (NOMINAL PRESSURE) P_N 70 MPa (700bar)
 PRÜFDRUCK (TEST PRESSURE) P_p 84 MPa (840bar)
 GEWICHT (WEIGHT) 16,3 kg
 (INKL. 0,3m SCHLÄUCHE U. KUPPLUNGEN; INCL. 0,3m HOSES AND COUPLINGS)
 ÖLBEDARF (REQUIRED OIL VOLUME) 0,1 l

STEUERUNG (SAFETY FEATURES)

SICHERHEITSSCHALTUNG ENTSPRECHEND EN 13204
 (WHEN CONTROL KNOBS IN NEUTRAL POSITION,
 OIL CIRCULATES WITHOUT EXERTING PRESSURE)

Schneidklasse (CUTTING CLASS):

EN 13204 (EDITION 03/2005) BC 165-F-16
 NFPA 1936 (EDITION 2005) A8/B6/C6/D7/E9



GEPR. JSC
 CHECK.
 GEZ. KST
 DRAW.
 DAT. 14.11.05
 KST
 13.04.10
 GEÄND. MODIF.
 AEND.-DATUM
 MOD.-DATE
 AEND.-NR. 100266
 REVISION B

FREIMASSTOLERANZEN (GENERAL TOLERANCES)	LAENGENMASS (LENGHT)mm				WINKELMASS (ANGLE)	
	...50	50...250	250...1000	1000...	...180°	...
TOLERANZ (TOLERANCE)mm	±1,5	± 2,0	± 3,0	± 5,0	TOLERANZ (TOLERANCE)	±10°