

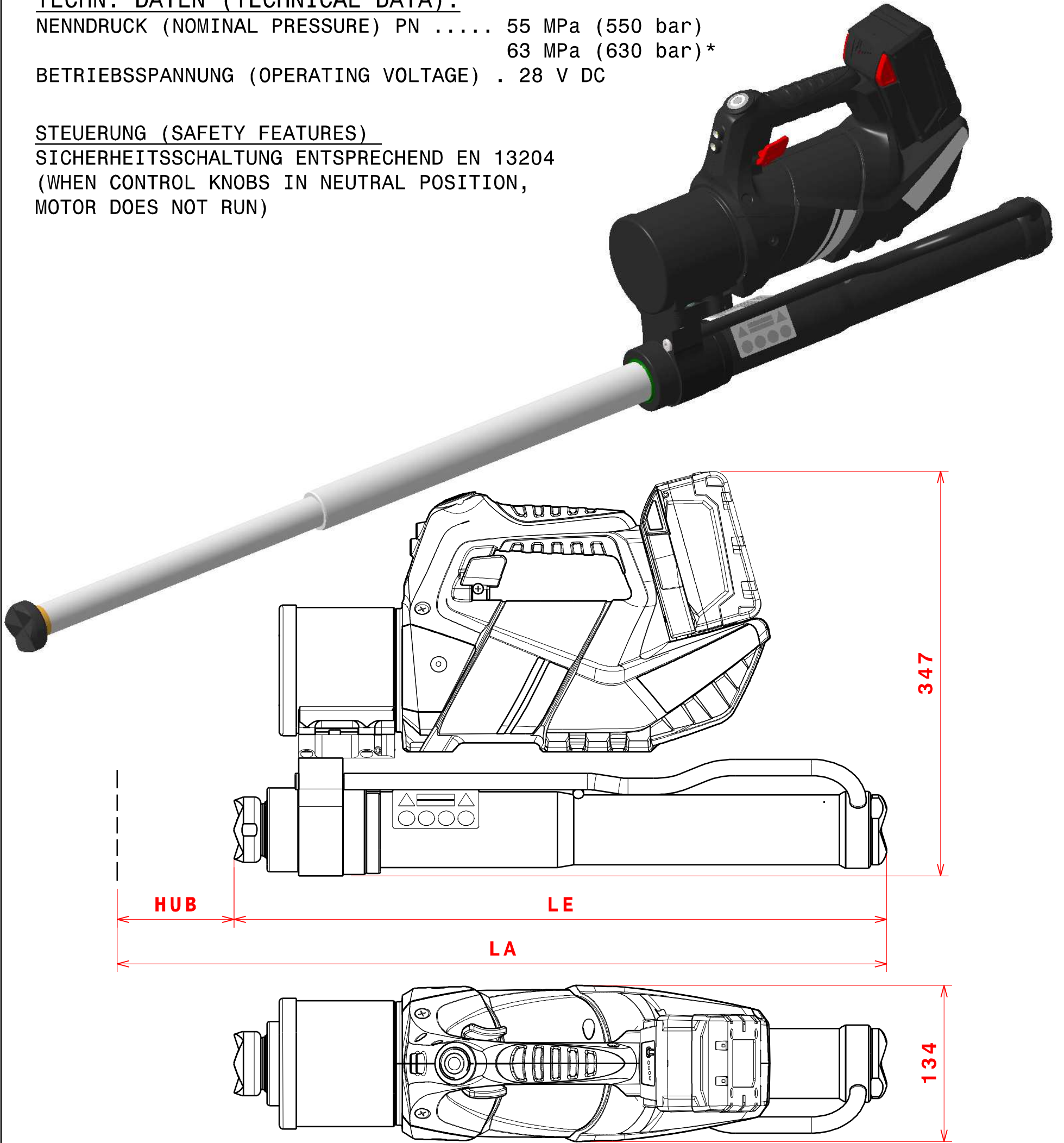
TECHN. DATEN (TECHNICAL DATA):

NENNDRUCK (NOMINAL PRESSURE) PN 55 MPa (550 bar)
63 MPa (630 bar)*

BETRIEBSSPANNUNG (OPERATING VOLTAGE) . 28 V DC

STEUERUNG (SAFETY FEATURES)

SICHERHEITSSCHALTUNG ENTSPRECHEND EN 13204
(WHEN CONTROL KNOBS IN NEUTRAL POSITION,
MOTOR DOES NOT RUN)



GEPR. KST
CHECK.

GEZ. KST
DRAW. DAT. 25.08.15

KST
21.06.16

GEAEND. MODIF.
AEND.-DATUM MOD.-DATE

AEND.-NR. 160441
MOD.-NO. D
REVISION REVISION

TYPE + IDENTNUMMER TYPE + PART NO:	LE	HUB STROKE 1. STUFE STAGE	HUB STROKE 2. STUFE STAGE	LA	GEWICHT WEI(GHT)	DRUCKKRAFT PUSHING FORCE 1. STUFE 1. STAGE	DRUCKKRAFT PUSHING FORCE 2. STUFE 2. STAGE	KLASSIFIZIERUNG CLASSIFICATION EN 13204
-	-	-	-	-	-	-	-	-
-	-	-	-	-	-	-	-	-
RZT2-1205 E-FORCE2*1083786	560	429	216	1205	19,6kg	123,7kN	71,7kN	TR124/429-62/216-20-E-I
RZT2-1360 E-FORCE2 1078342	560	428	372	1360	19,5kg	108,0kN	62,0kN	TR108/428-62/372-20-E-I
RZT2-1500 E-FORCE2 1081519	700	428	372	1500	21,0kg	108,0kN	62,0kN	TR108/428-62/372-21-E-I
FREIMASSTOLERANZEN (GENERAL TOLERANCES)	LAENGENMASS (LENGHT)mm TOLERANZ (TOLERANCE)mm	...50 ±1,5	50...250 ±2,0	250...1000 ±3,0	1000... ±5,0	WINKELMASS (ANGLE) TOLERANZ (TOLERANCE)		...180° ±10°